

Field Programmable Blank Oscillator

Series **CPPFX**

- Programmed with the PG-3000 field oscillator programming instrument within seconds
- Can be programmed twice
- Provides a sealed finished custom oscillator
- Standard Package Options

Part Numbering Example: CPPFX C 1 L Z - A5 BR - XX.XXXX TS

CPPFX	C	1	L	Z	A7	BR	XX.XXXX	TS
SERIES	OUTPUT	PACKAGE STYLE	VOLTAGE	ADDED FEATURES	OPERATING TEMP.	STABILITY	FREQUENCY	TRI-STATE
CPPFX	C = CMOS T = TTL	1 = Full Size 4 = Half Size 7 = 5X7 Ceramic 8 = PLASTIC SMD	Blank = 5V L = 3.3 V	Blank = Bulk T = Tube Z = Tape and Reel	Blank = 0°C +70°C A7 = -40°C +85°C	BD = ±20 ppm BR = ±25 ppm	1.000~133.000 MHz	TS = Tri-State PD=PowerDwn

Specifications:

	Min	Typ	Max	Unit
Frequency Range: Programmable to Any Discrete Frequency	1.000		133.000	MHz
Available Stability Options:	-20 -25		20 25	ppm ppm
Programmable Input Voltage: (1–133 MHz)	+4.5	5.0	5.5	VDC
(1–100 MHz)	+3.0	3.3	3.6	VDC
Operating Temperature Range Options:	0 -40		+70 +85	°C °C
Storage Temperature:	-55		+125	°C
Aging (PPM/Year) Ta=25C, Vdd=5/3.3V			±5	
Programmable Output Level:	TTL/CMOS			
Packaging:	Tape and Reel (1K per Reel) Tube			

Operating Conditions:

	Description	Min	Max	Unit
V _{dd}	Digital Supply Voltage	3.0	5.5	V
C _{TTL}	Max Capacitive Load on outputs for TTL levels 4.5V–5.5V V _{dd} ≤ 40 MHz 4.5V–5.5V V _{dd} > 40–133 MHz		50 25	pF pF
C _{CMOS}	Max Capacitive Load on outputs for CMOS levels 4.5V–5.5V V _{dd} , ≤ 66 MHz 4.5V–5.5V V _{dd} , >66–133 MHz 3.0V–3.6V V _{dd} , ≤ 40 MHz 3.0V–3.6V V _{dd} , >40–100 MHz		50 25 30 15	pF pF pF pF



Field Programmable Blank Oscillator

Series **CPPFX**

- Programmed with the PG-3000 field oscillator programming instrument within seconds
- Can be programmed twice
- Provides a sealed finished custom oscillator

Electrical Characteristics

	TEST CONDITIONS	Min	Typ	Max	Unit
Input Characteristics (Pin 1):					
V _{IL} , Low-Level Input Voltage TO DISABLE OUTPUT	4.5–5.5V V _{dd}			0.8	V
	3.0–3.6V V _{dd}			0.2V _{dd}	V
V _{IH} , High-Level Input Voltage TO ENABLE OUTPUT OR NO CONNECT	4.5–5.5V V _{dd}	2.0			V
	3.0–3.6V V _{dd}	0.7V _{dd}			V
I _{IL} , Input Low Current	V _{IN} = 0V			10	μA
I _{IH} , Input High Current	V _{IN} = V _{dd}			5	μA
Output Characteristics:					
V _{OL} , Low-Level Output Voltage	4.5V–5.5V V _{dd} , 16 mA I _{oL}			0.40	V
	3.0V–3.6V V _{dd} , 8 mA I _{oL}			0.40	V
V _{OHTTL} , High-level Output Voltage TTL	4.5V–5.5V V _{dd} , -16 mA I _{oL}	2.40			V
V _{OHCMS} , High-level CMOS Voltage	4.5V–5.5V V _{dd} , -16 mA I _{oL}	V _{dd} -0.4			V
	3.0V–3.6V V _{dd} , -8 mA I _{oL}	V _{dd} -0.4			V
Power Supply Current: (unloaded)	4.5–5.5 V _{dd} , OUTPUT FREQ ≤ 133 MHz			45	mA
	3.0–3.6 V _{dd} , OUTPUT FREQ ≤ 100 MHz			25	mA
Standby Current:			10	50	μA
Input Pull-Up Resistor (Pin 1)	4.5–5.5 V _{dd} , V _{IN} = 0V	1.1	3.0	8.0	MΩ
	4.5–5.5 V _{dd} , V _{IN} = 0.7V	50	100	200	KΩ
CLKOUT Pull-Down Current	5.0 V _{dd}		20		μA
Output Enable Mode:	Output is Tri-Stated				
Power Down Mode:	Output is Tri-Stated.				



Field Programmable Blank Oscillator

Series **CPPFX**

- Programmed with the PG-3000 field oscillator programming instrument within seconds
- Can be programmed twice
- Provides a sealed finished custom oscillator

Output Clock Switching Characteristics

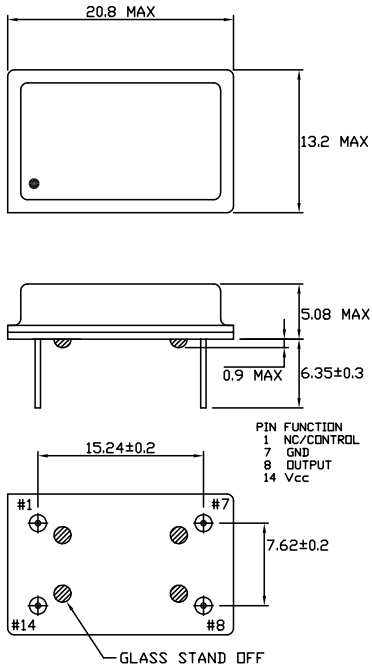
	TEST CONDITIONS	Min	Typ	Max	Unit
Duty Cycle: TTL @ 1.4 V, 4.5–5.5 Vdd	≤ 50 MHz, C _L = 50 pF	45		55	%
	50–66 MHz, C _L = 15 pF	45		55	%
	66–125 MHz, C _L = 25 pF	40		60	%
	125–133 MHz, C _L = 15 pF	40		60	%
CMOS @ Vdd/2, 4.5–5.5 Vdd 3.0–3.6 Vdd	≤ 66 MHz, C _L ≤ 25 pF	45		55	%
	66–125 MHz, C _L ≤ 25 pF	40		60	%
	125–133 MHz, C _L ≤ 15 pF	40		60	%
	≤ 40 MHz, C _L ≤ 30 pF	45		55	%
	40–100 MHz, C _L ≤ 15 pF	40		60	%
Output Clock Rise/Fall	0.8V–2.0V, 4.5-5.5 Vdd, C _L = 50			1.8	ns
	0.8V–2.0V, 4.5-5.5 Vdd, C _L = 25			1.2	ns
	0.8V–2.0V, 4.5-5.5 Vdd, C _L = 15			0.9	ns
	0.2–0.8Vdd, 4.5-5.5 Vdd, C _L = 50			3.4	ns
	0.2–0.8Vdd, 3.0–3.6 Vdd, C _L = 30			4.0	ns
	0.2–0.8Vdd, 3.0–3.6 Vdd, C _L = 15			2.4	ns
Start Up Time	From power on			10	ms
Power Down Delay Time Synchronous Asynchronous	PWR_DWN pin LOW to output Hi-Z		T/2	T+10	ns
			10	15	ns
Output Disable Time Synchronous Asynchronous	OE pin LOW to output Hi-Z T = Frequency oscillator period		T/2	T+10	ns
			10	15	ns
Output Enable Time				100	ns
Period Jitter: Σ	≤ 33.000 MHz		11	13	ps
	> 33.000, MHz		11	17	ps
Peak to Peak	≤ 33.000 MHz		83	100	ps
	> 33.000 Mhz		82	110	ps



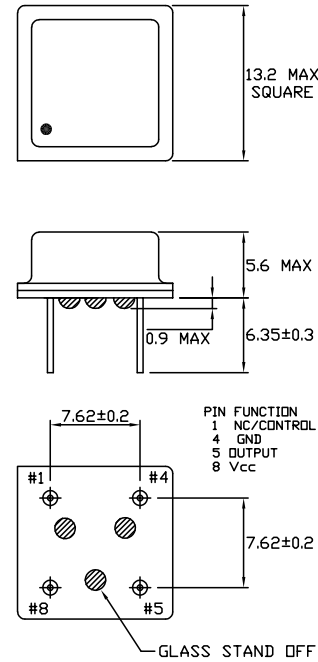
Field Programmable Blank Oscillator Package Styles

Note: *Bypass Vdd to GND with a 0.01 μF capacitor*

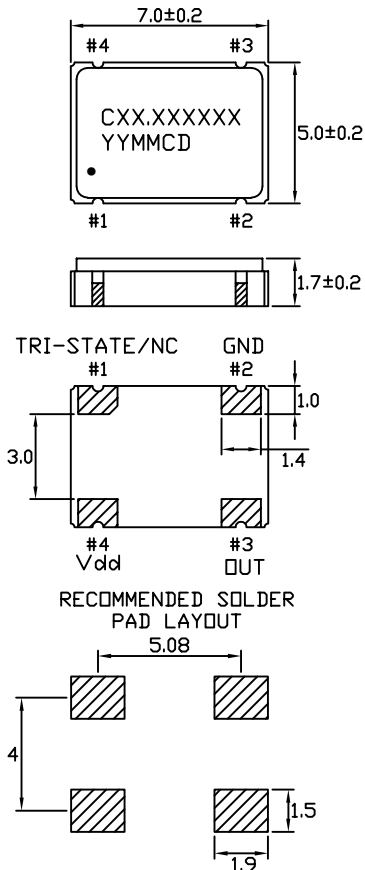
Style 1 Full Size 14 Pin Dip



Style 4 Half Size 8 Pin Dip



Style 7 5x7 Ceramic SMD



Style 8 Plastic SMD

